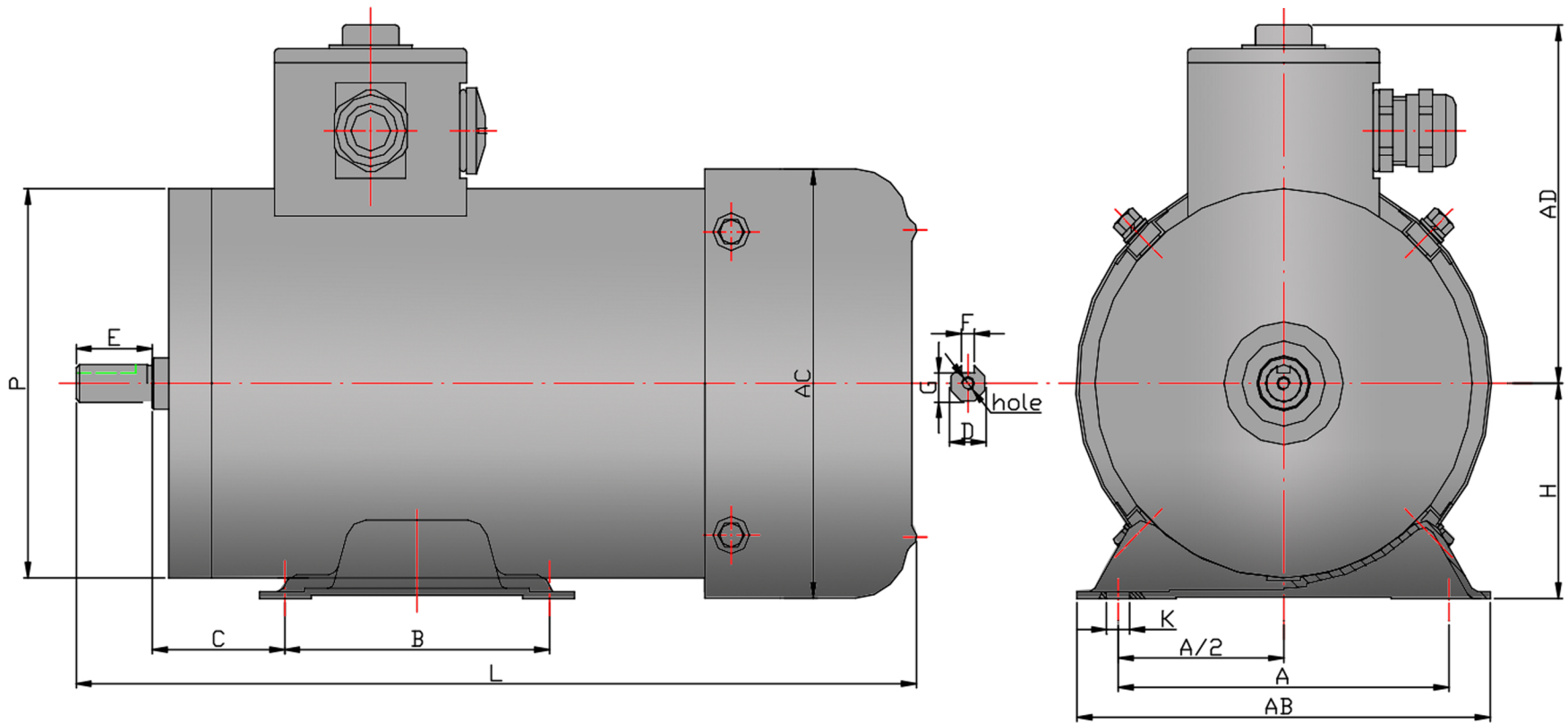


MaxMotion



| | | | | | | | | | | | |
|---|---------------------|--------------|------------|----------|------------|-------------|-----------|-----------|-----------|----------|---------------------------|
| Version: WT11 | Revised: 22-09-2021 | Frame | RPM | A | A/2 | B | C | D | E | F | MPS/MQS-112M2FC-S3 |
| Customer is responsible in determining that MEP product will fit/perform suitably in the intended application | | 112M | 1800 | 190 | 95 | 140 | 70 | 28 | 60 | 8 | |
| | | G | H | K | P | hole | AB | AC | AD | L | |
| | | 24 | 112 | 12 | 215 | M10 | 220 | 231 | 169 | 469 | |